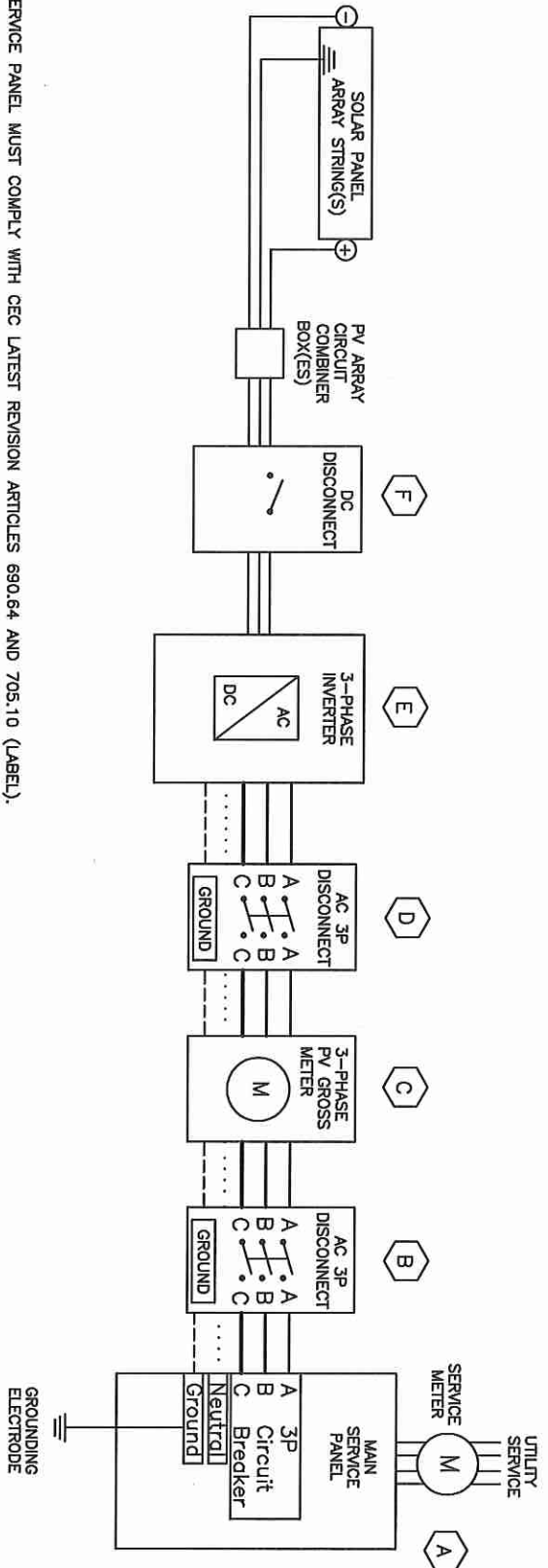


THIS STANDARD SHOWS THE REQUIREMENTS FOR A PHOTOVOLTAIC THREE-PHASE SYSTEM USING A SINGLE THREE-PHASE INVERTER.



NOTES:

- A. MAIN SERVICE PANEL MUST COMPLY WITH CEC LATEST REVISION ARTICLES 690.64 AND 705.10 (LABEL).
 - B. UTILITY LOCKABLE A.C. DISCONNECT TO BE LOCATED WITHIN 10' OF SERVICE PANEL. A MINIMUM 10" CLEARANCE IS REQUIRED FROM EDGE OF ANY ENCLOSURE. MUST COMPLY WITH CEC ARTICLES 690.14 (LABEL), 690.17 (LABEL) AND 690.54 (LABEL).
 - C. P.V. GROSS METER PROVIDED AND INSTALLED BY C.O.B. ELECTRIC DEPARTMENT AT CUSTOMERS EXPENSE. METER SOCKET PROVIDED BY INSTALLER. METER SOCKET SUBMITTAL MUST BE APPROVED BY C.O.B. PRIOR TO INSTALLATION. A LEASED SYSTEM MAY INCLUDE A SEPARATE METER BETWEEN THE AC DISCONNECT AND PV GROSS METER PROVIDED & INSTALLED BY THE LEASING COMPANY. CITY OF BANNING WILL ACTIVATE THE PV SYSTEM AFTER IT MEETS ALL REQUIREMENTS, AND PASSES ALL INSPECTIONS.
 - D. UTILITY LOCKABLE A.C. DISCONNECT MUST BE LOCATED WITHIN 10' OF B. AND WITHIN LINE OF SIGHT OF MAIN SERVICE PANEL. A MINIMUM CLEARANCE OF 10" IS REQUIRED FROM EDGE OF ANY ENCLOSURE. MUST COMPLY WITH CEC ARTICLES 690.14 (LABEL), 690.17 (LABEL) AND 690.54 (LABEL).
 - E. INVERTER MUST COMPLY WITH CEC ARTICLE 690.47(C)(1) AND UL1741. GROUNDING ELECTRODE SYSTEM MUST COMPLY WITH CEC ARTICLE 690.47. INVERTER-INTEGRATED PROTECTION MUST INCLUDE THE FOLLOWING MINIMUM PROTECTIVE FUNCTIONS: PHASE OVERCURRENT, OVERVOLTAGE, UNDERVOLTAGE, UNDERFREQUENCY, AND AC GND FAULT. THREE-PHASE INVERTERS AND 3-PHASE AC MODULES IN INTERACTIVE SYSTEMS SHALL HAVE ALL PHASES AUTOMATICALLY DE-ENERGIZED UPON LOSS OF, OR UNBALANCED, VOLTAGE IN ONE OR MORE PHASES UNLESS THE INTERCONNECTED SYSTEM IS DESIGNED SO THAT SIGNIFICANT UNBALANCED VOLTAGES WILL NOT RESULT. PER CEC ARTICLE 705.100(B).
 - F. D.C. DISCONNECT MUST COMPLY WITH CEC ARTICLES 690.14(A-D), 690.53 (LABEL), 690.7 (LABEL) AND 690.8.
 - SEPARATE DC DISCONNECT IS REQUIRED ONLY IF INVERTER HAS AN INTEGRATED (BUT NOT SEPARATED) DC DISCONNECT.
- SIGNS OR DIRECTORIES SHALL BE ATTACHED TO THE ELECTRIC EQUIPMENT OR LOCATED ADJACENT TO THE IDENTIFIED EQUIPMENT. SIGNS SHOULD BE OF SUFFICIENT DURABILITY TO WITHSTAND THE ENVIRONMENT. ALL PLAQUES SHALL BE PERMANENTLY ATTACHED TO SURFACE OF ELECTRICAL EQUIPMENT BY MEANS OF EPOXY, SCREWS, OR RIVETS. OUTDOOR SIGNS SHALL BE EITHER METAL OR PLASTIC WITH ENGRAVED OR MACHINE PRINTED LETTERS, OR ELECTRO-PHOTO PLATING, IN A CONTRASTING COLOR TO THE SIGN BACKGROUND. SPACE REQUIREMENTS FOR ELECTRIC EQUIPMENT SHALL COMPLY WITH CEC ARTICLE 110.26.



REVISED: 11/25/2015

APPROVED:

[Signature] 11-25-15

STANDARD DRAWINGS

PHOTOVOLTAIC THREE-PHASE SYSTEM DIAGRAM
USING A SINGLE THREE-PHASE INVERTER

SD

600-82