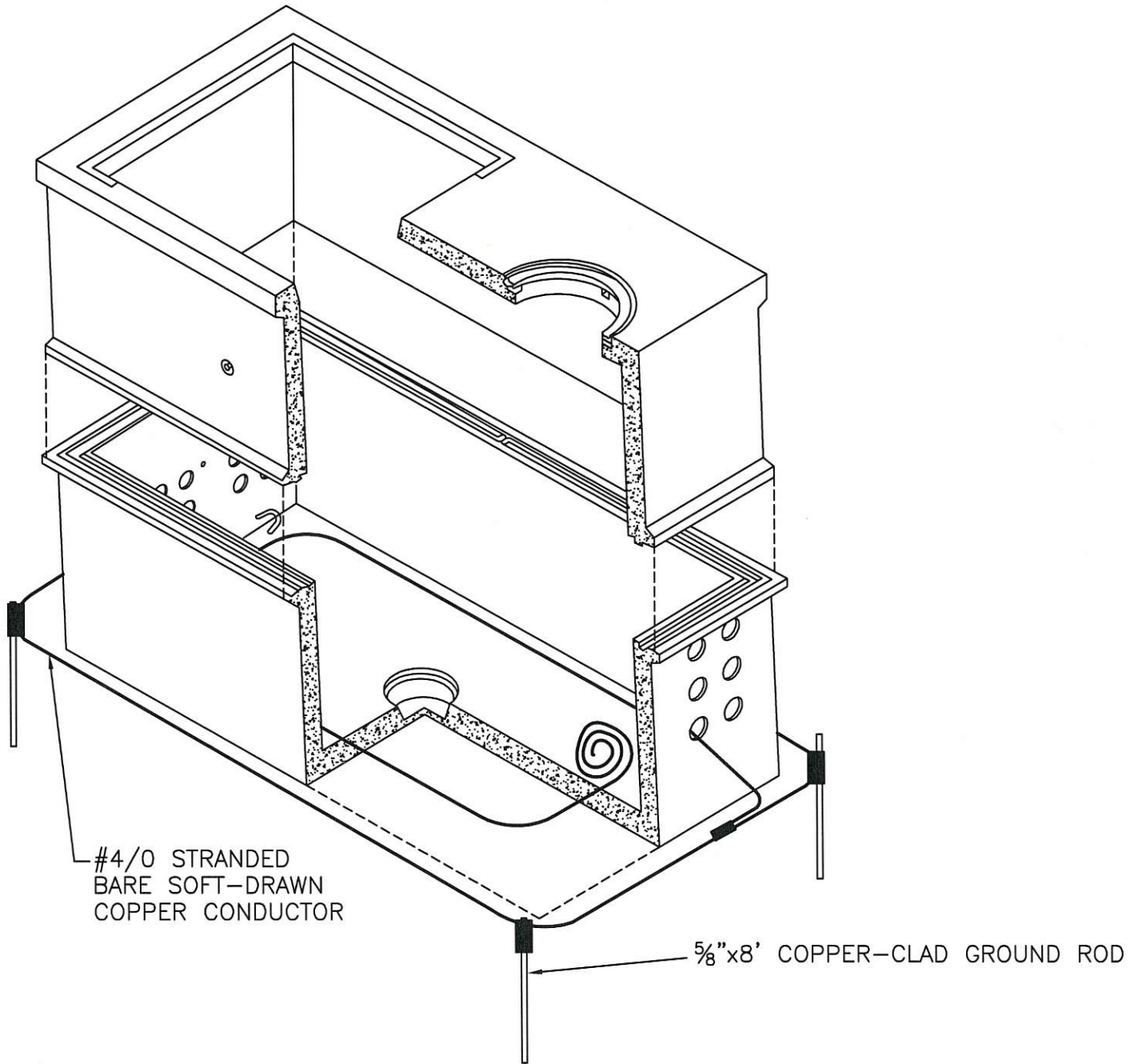
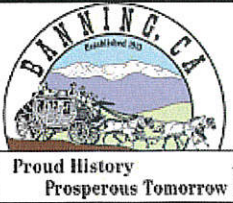


FOR VAULTS SIZED 48"x72" AND LARGER



NOTES:

1. INSTALL A LOOP AROUND THE VAULT USING #4/0 STRANDED BARE COPPER SOFT-DRAWN CONDUCTOR.
2. INSTALL (4) 5/8"x8' COPPER-CLAD GROUND RODS AT EXTERIOR CORNERS OF VAULT.
3. USE EXOTHERMIC WELDING TO MAKE ALL CONNECTIONS.
4. COMPRESSION CONNECTORS MAY BE USED ONLY WHEN UTILITY MAKES COMPRESSION CONNECTION.
5. INSERT GROUND WIRE INTO SPARE KNOCKOUT AS SHOWN UNLESS OTHERWISE DIRECTED BY INSPECTOR.
6. LEAVE ENOUGH GROUND WIRE SLACK INSIDE VAULT TO WRAP AROUND ITS ENTIRE INTERIOR PERIMETER.



REVISED: 07/27/2017

APPROVED: *[Signature]*

STANDARD DRAWINGS

GROUNDING REQUIREMENTS FOR PRECAST  
CONCRETE SUBSTRUCTURE LARGER THAN  
48"x72"

**SD**

**600-21**